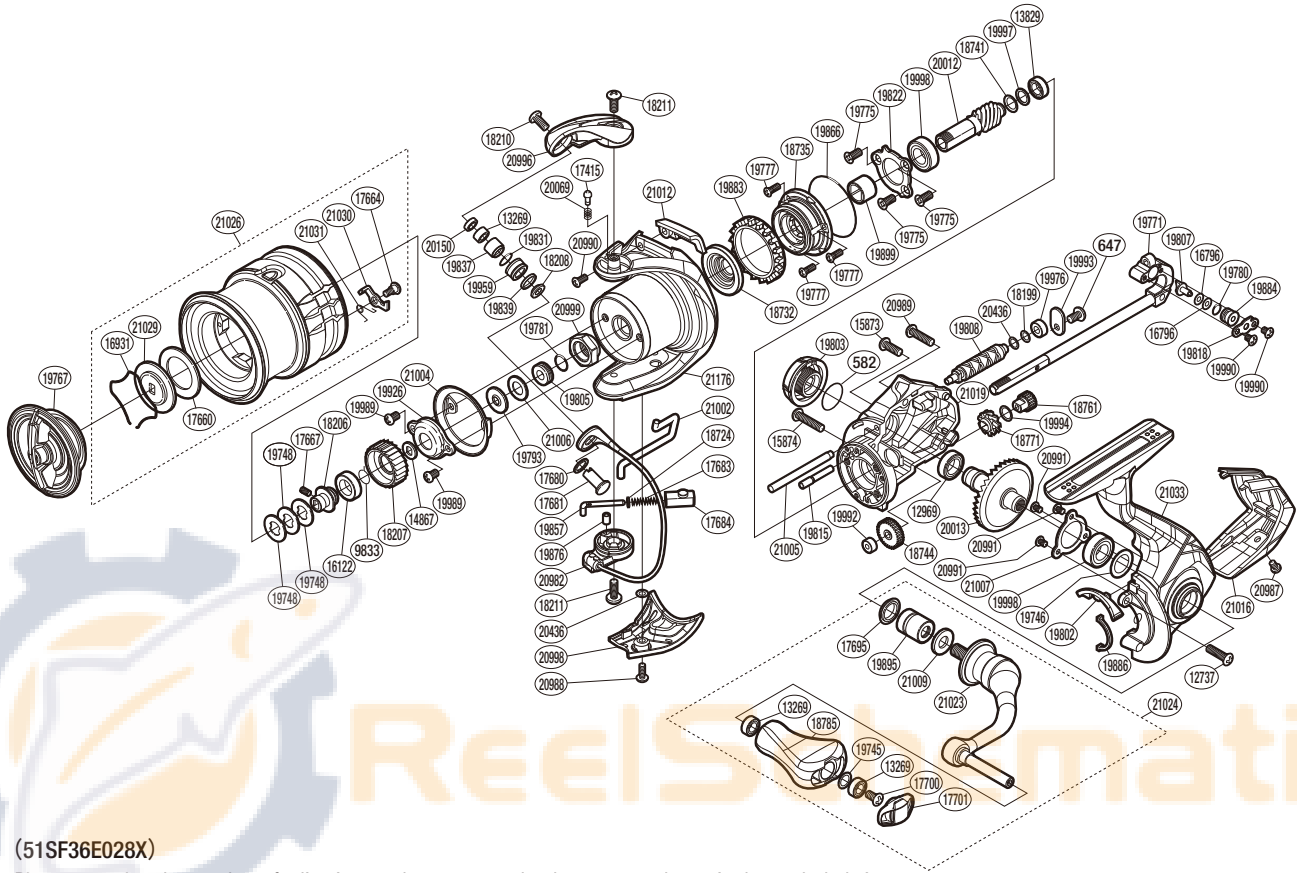


SHIMANO

VANFORD

VF2500SHGF



(51SF36E028X)

Please note that the number of adjusting washers may not be the same as shown in the exploded views.
(Adjustment will vary with each individual product.)

| Part No. | Description | Part No. | Description | Part No. | Description |
|----------|------------------------|----------|----------------------------|----------|-------------------------|
| RD 0582 | O Ring | RD18785 | Handle Knob | RD19994 | Washer |
| RD 0647 | Screw | RD19745 | Washer | RD19997 | Washer |
| RD 9833 | Ratchet Spring | RD19746 | Washer | RD19998 | Ball Bearing |
| RD12737 | Screw | RD19748 | Washer | RD20012 | Pinion Gear |
| RD12969 | Ball Bearing | RD19767 | Drag Knob Assembly | RD20013 | Drive Gear |
| RD13269 | Ball Bearing | RD19771 | Main Shaft Assembly | RD20069 | Click Spring |
| RD13829 | Ball Bearing | RD19775 | Screw | RD20150 | Line Roller Collar |
| RD14867 | Spool Support | RD19777 | Screw | RD20436 | Washer |
| RD15873 | Screw | RD19780 | O Ring | RD20982 | Bail Assembly |
| RD15874 | Screw | RD19781 | O Ring | RD20987 | Screw |
| RD16122 | Spool Bushing | RD19793 | Bearing Water Proof | RD20988 | Screw |
| RD16796 | Spacer | RD19802 | Bail Trip Strike | RD20989 | Screw |
| RD16931 | Drag Washer Retainer | RD19803 | Handle Screw Cap | RD20990 | Screw |
| RD17415 | Click Pin | RD19805 | Main Shaft Collar | RD20991 | Screw |
| RD17660 | Drag Washer | RD19807 | Oscillating Pawl | RD20996 | Bail Arm |
| RD17664 | Screw | RD19808 | Worm Shaft | RD20998 | Bail Hold Support Guard |
| RD17667 | Set Screw | RD19815 | Idle Gear B Shaft | RD20999 | Rotor Nut |
| RD17680 | Washer | RD19818 | Oscillating Pawl Cover | RD21002 | Bail Trip Lever |
| RD17681 | Line Roller Support | RD19822 | Bearing Retainer | RD21004 | Rotor Brim |
| RD17683 | Bail Spring | RD19831 | O Ring | RD21005 | Oscillating Guide A |
| RD17684 | Bail Spring Guide B | RD19837 | Line Roller Bushing | RD21006 | Washer |
| RD17695 | Handle Shaft Seal | RD19839 | Line Roller Spacer | RD21007 | Bearing Retainer |
| RD17700 | Screw | RD19857 | Bail Spring Guide A | RD21009 | Washer |
| RD17701 | Handle Knob Seal | RD19866 | O Ring | RD21012 | Counter Weight Cover |
| RD18199 | Spacer | RD19876 | Bail Spring Guide A Bush | RD21016 | Rear Protector |
| RD18206 | Bearing Bushing | RD19883 | Friction Ring | RD21019 | Body |
| RD18207 | Drag Click Ratchet | RD19884 | Oscillating Slider Bushing | RD21023 | Handle Shank Assembly |
| RD18208 | Spacer | RD19886 | Flange Water Proof | RD21024 | Handle Assembly |
| RD18210 | Screw | RD19895 | Handle Shaft Cover B | RD21026 | Spool Assembly |
| RD18211 | Screw | RD19899 | Roller Clutch Inner | RD21029 | Key Washer |
| RD18724 | Spring Guide A Support | RD19926 | Rotor Nut Lock Plate | RD21030 | Drag Click |
| RD18732 | Rotor Ring | RD19959 | Line Roller | RD21031 | Drag Click Spring |
| RD18735 | Roller Clutch Assembly | RD19976 | Worm Bushing (Rear) | RD21033 | Side Cover Assembly |
| RD18741 | Washer | RD19989 | Screw | RD21176 | Rotor |
| RD18744 | Idle Gear | RD19990 | Screw | | |
| RD18761 | Idle Gear B Small | RD19992 | Worm Bushing (Front) | | |
| RD18771 | Idle Gear B Large | RD19993 | Worm Shaft Retainer | RD18054 | Anti Line Slip Sticker |